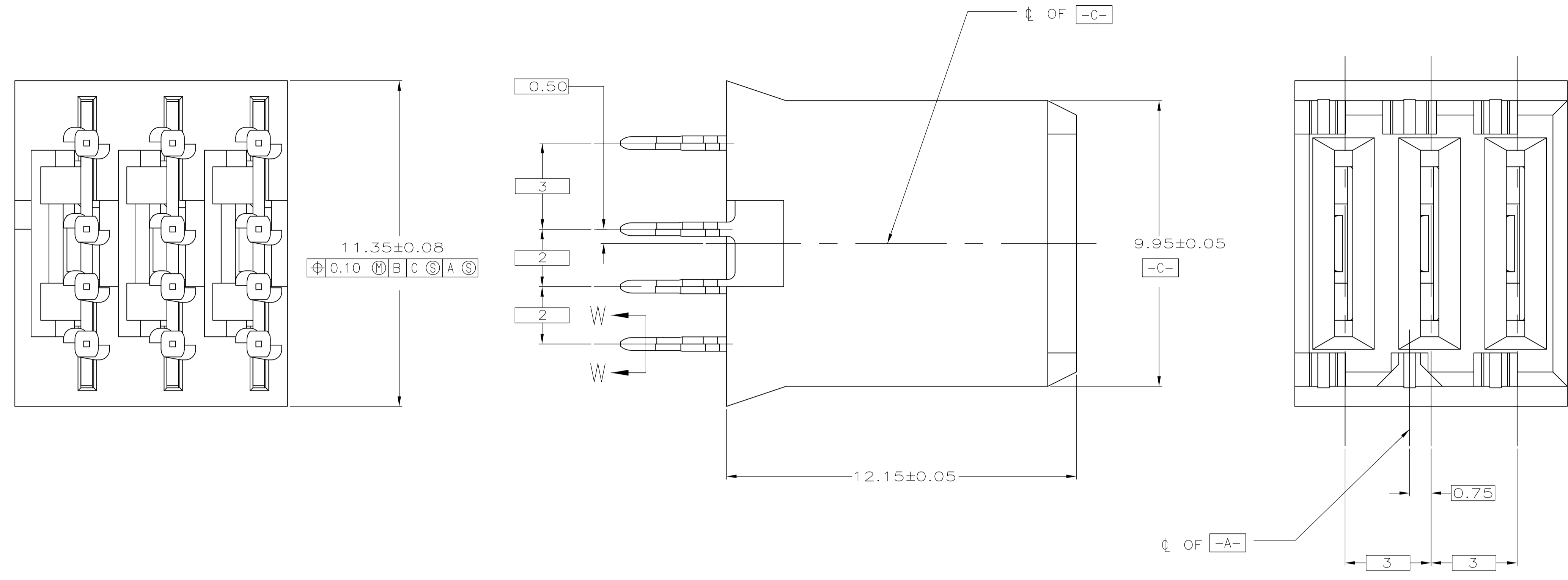
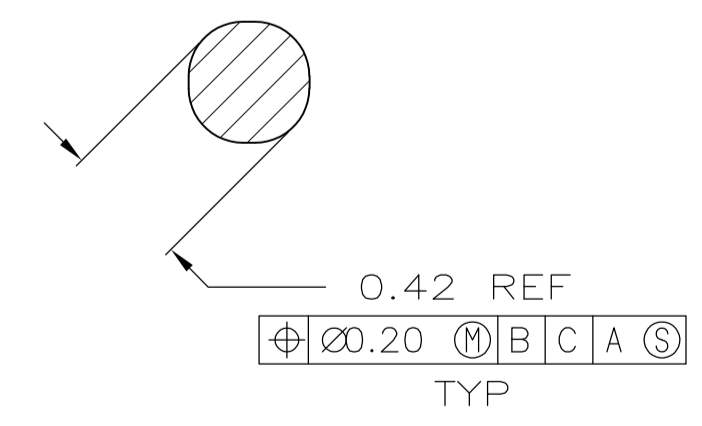
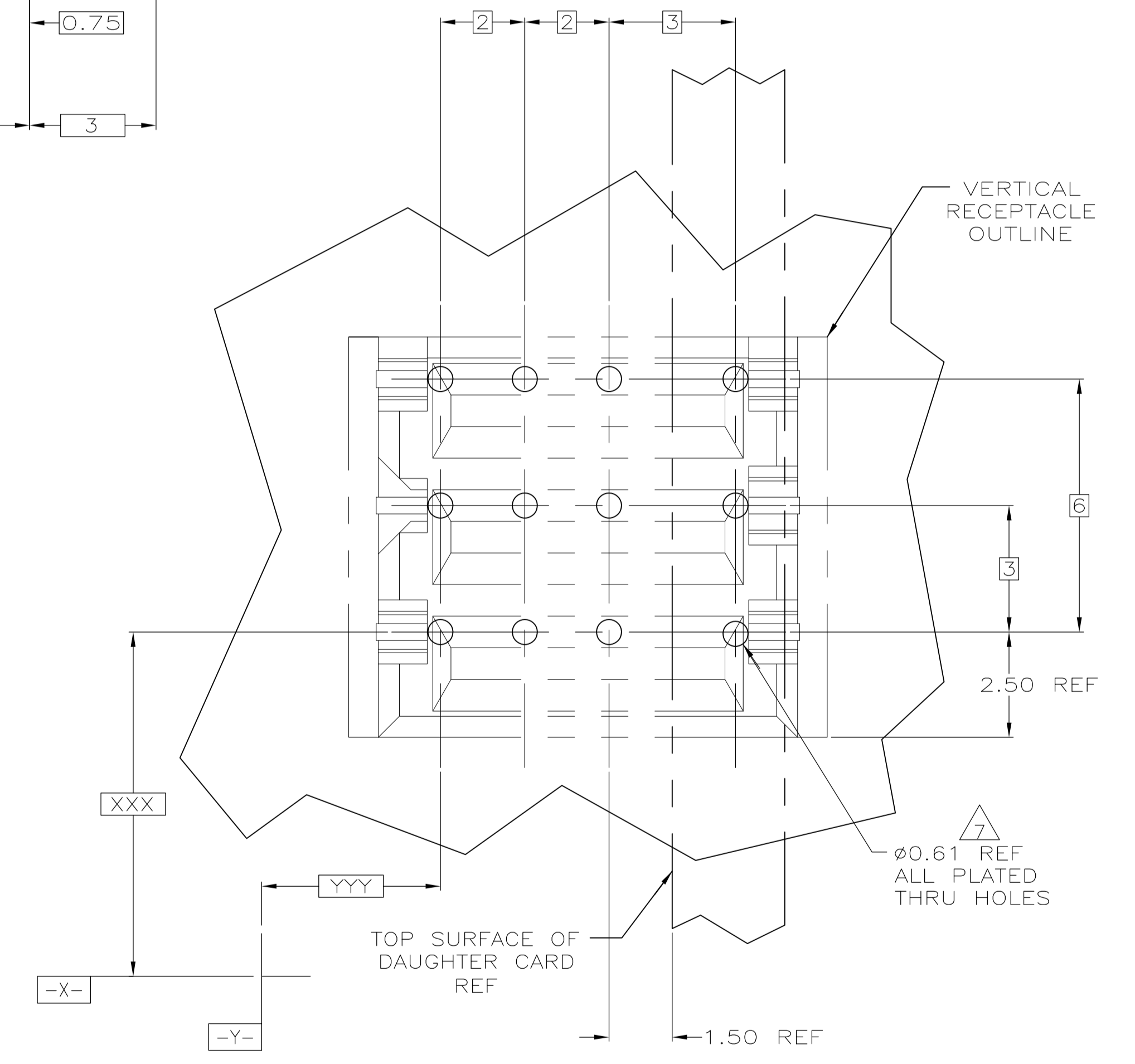
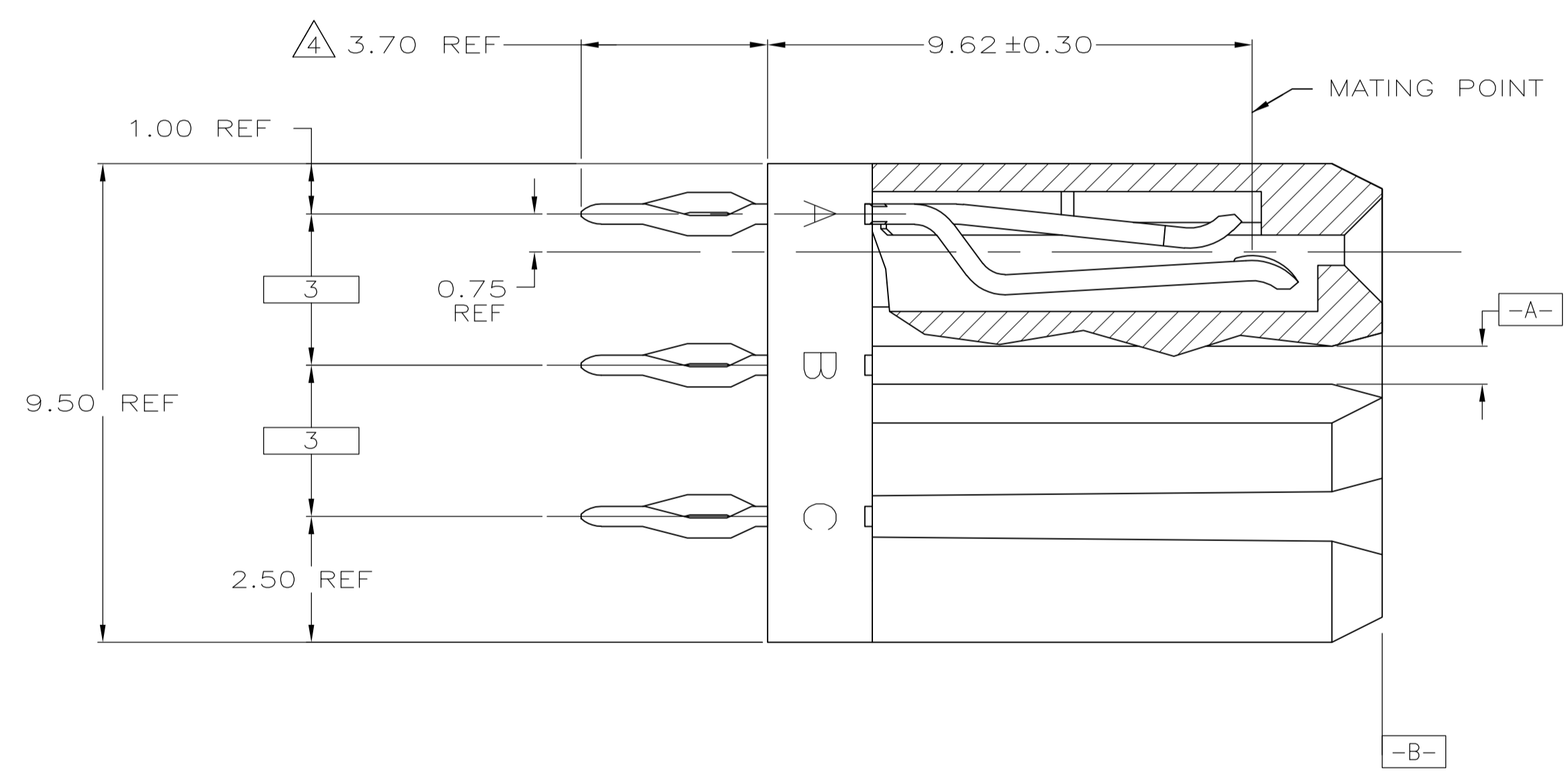


REVISES		DATE	BY	APP'D
P	REVISED PER ECO-11-004835	11MAR11	RK	HMR



- 1 MATERIAL: HOUSING: POLYESTER. COLOR: GRAY. 94V-O. CONTACT: PHOSPHOR BRONZE.
- 2 FINISH: CONTACT MATING AREA: 1.27µm MIN GOLD OR 0.08µm MIN GOLD OVER 0.76µm MIN PALLADIUM-NICKEL. ACTION PIN AREA: 0.5µm MIN TIN PLATE, ALL OVER 1.27µm MIN NICKEL UNDERPLATE.
- 3 FINISH: CONTACT LUBRICATION WITH BELLCORE APPROVED LUBRICANT. TECHNICAL REFERENCE: TR-NWT-001217 ISSUE 1, SEPT 1992.
- 4 TOLERANCE TO BE ±0.28 AFTER CONNECTOR IS APPLIED TO P.C. BOARD.
- 5 RESTRICTED PART NUMBER, CONTACT ENGINEERING.
- 6 MATERIAL: HOUSING: POLYESTER. COLOR: GRAY. 94V-O. CONTACT: HIGH CURRENT COPPER ALLOY
- 7 REFERENCE APPLICATION SPEC 114-1103 FOR RECOMMENDED PLATED THRU HOLE DIAMETER AND PLATING THICKNESS.
- 8 CURRENT RATING 10A/CONTACT FOR PHOS BRONZE CONTACTS AND 16A/CONTACT FOR HIGH CURRENT COPPER ALLOY CONTACTS PER PRODUCT SPEC 108-1651.



SECTION W-W
SCALE 40:1

2	3	6	5-5223955-2
1	2	3	5223955-8
1	2	3	5223955-2
MATERIAL & FINISH			PART NUMBER

THIS DRAWING IS A CONTROLLED DOCUMENT.		DWG: B. CARDO	10DEC04
DIMENSIONS: mm		CHK: R. PATTERSON	10DEC04
TOLERANCES UNLESS OTHERWISE SPECIFIED:		APP'D: R. PATTERSON	10DEC04
0 PLC	± -	NAME: ASSEMBLY, VERTICAL RECEPTACLE, UNIVERSAL POWER MODULE	
1 PLC	± -	PRODUCT SPEC: -	
2 PLC	± 0.13	APPLICATION SPEC: -	
3 PLC	± -	SIZE: A1	
4 PLC	± -	CAGE CODE: 00779	
ANGLES	± -	DRAWING NO: 5223955	
MATERIAL: SEE TABLE	FINISH: SEE TABLE	WEIGHT: -	RESTRICTED TO: -
CUSTOMER DRAWING		SCALE: 10:1	SHEET: 1 OF 1